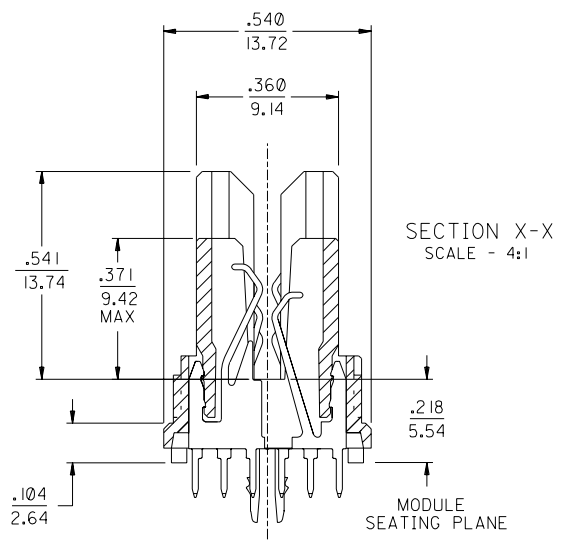
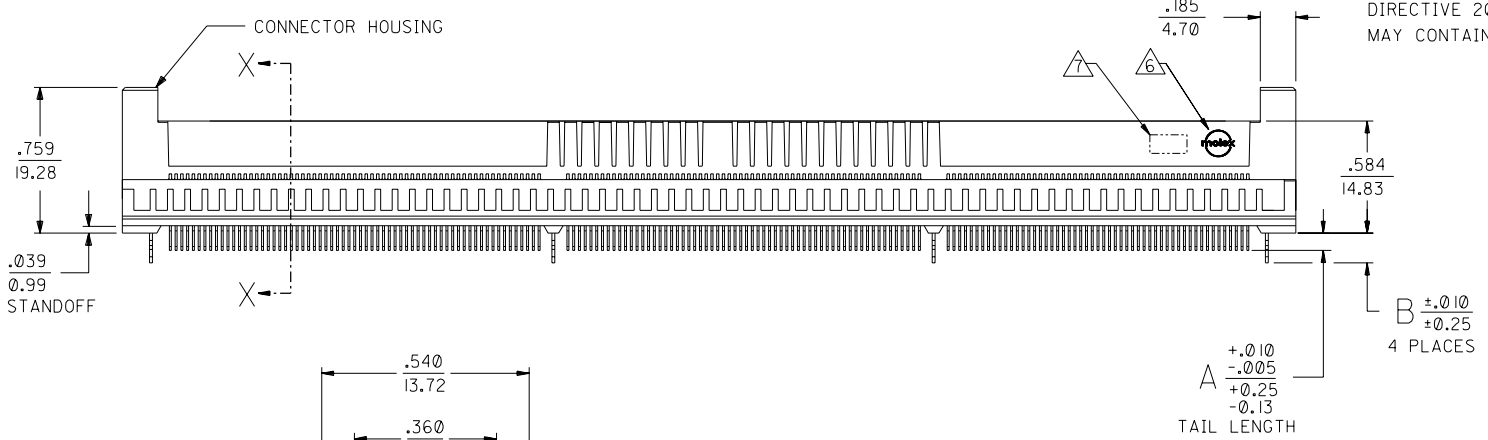
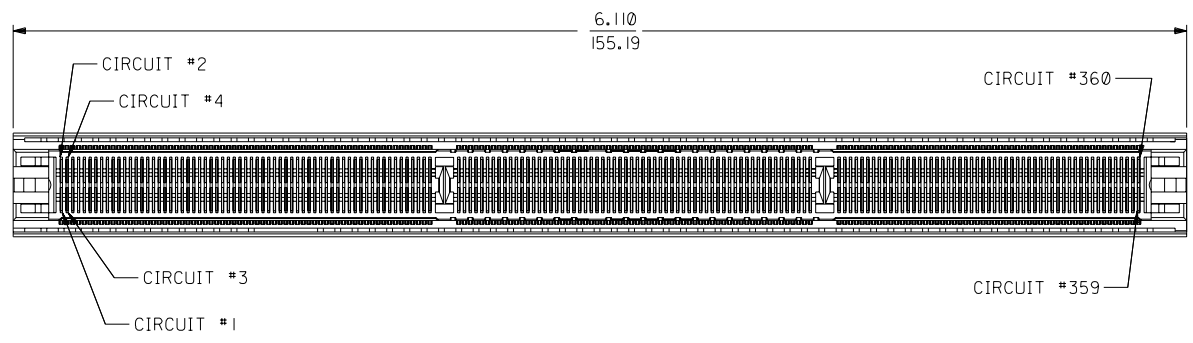


NOTES:

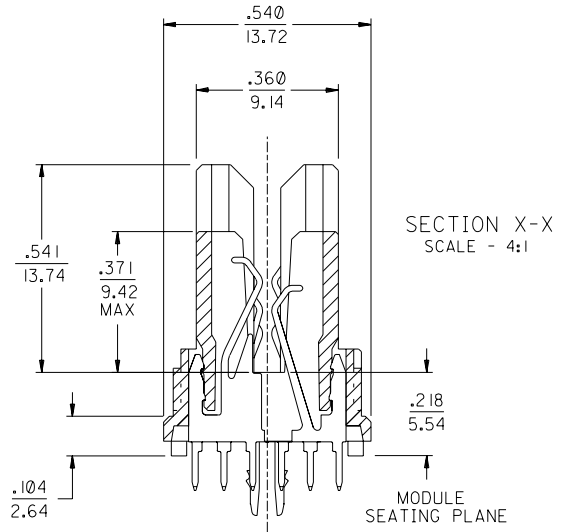
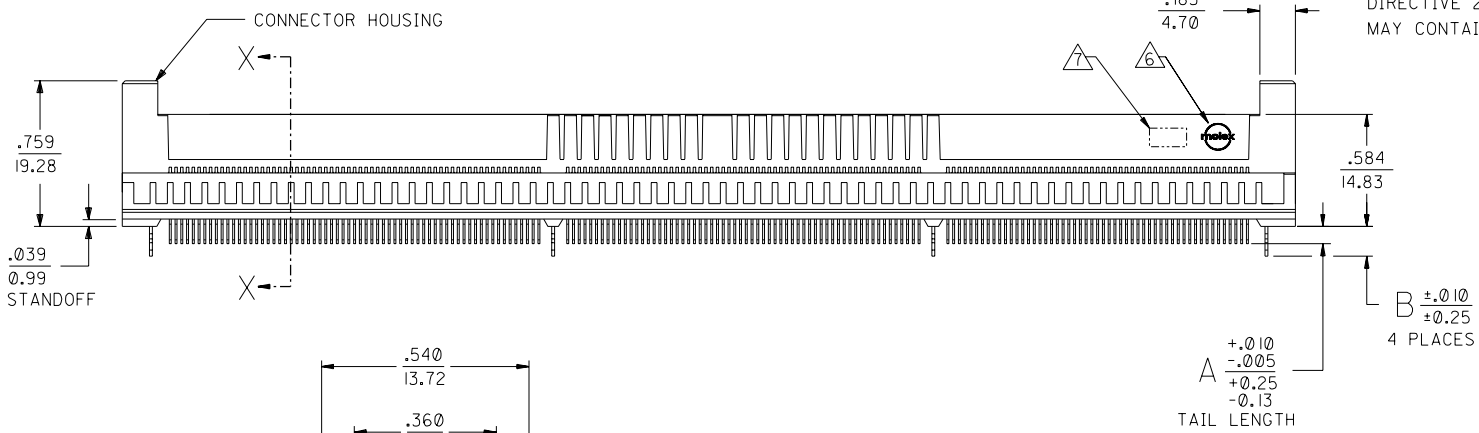
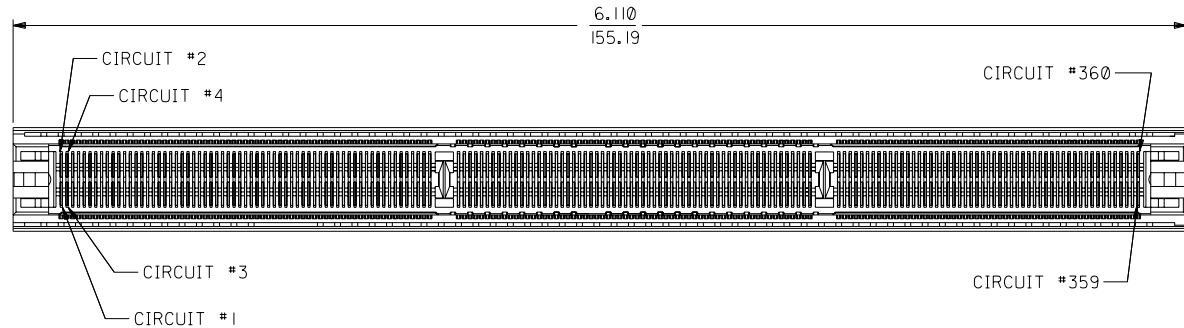
1. MATERIALS:
 - HOUSING - LCP, 30% GLASS FILLED, 94-V0, BLACK.
 - TERMINALS - PHOSPHOR BRONZE.
 - METAL FORKLLOCKS - PHOSPHOR BRONZE.
2. FINISH:
 - TERMINALS - .000030/0.00076 MINIMUM GOLD IN THE CONTACT AREA AND .000075/0.0019 MINIMUM TIN IN SOLDER TAIL AREA OVER .000050/0.0013 MINIMUM NICKEL OVERALL.
 - METAL FORKLLOCKS - .00008/0.002 MINIMUM TIN OVERALL.
3. PRODUCT SPECIFICATION PS-71109-9999 APPLIES.
4. CARD SLOT ACCEPTS .062 +.007/-.005 P.C. BOARD.
5. THE RECOMMENDED PLATING SPECIFICATION FOR THE MATING PC BOARD IS .000030/0.0076 MINIMUM GOLD OVER .000075/0.0019 MINIMUM NICKEL.
6. MOLEX LOGO SHALL APPEAR ON BOTH SIDES OF HOUSING AND LOCATED APPROXIMATELY AS SHOWN.
7. FOUR DIGIT DATE CODE (YR/WK) SHALL BE LOCATED APPROXIMATELY AS SHOWN.
8. THE PRIMARY SHIPPING CARTON WILL BE LABELED "COMPLIANT TO ROHS DIRECTIVE 2002/95/EC AND ELV ANNEX II OF DIRECTIVE 2000/53/EC". CARTONS WITHOUT THIS LABEL MAY CONTAIN PRODUCT WITH LEAD.



71109-5029		.115/2.92	.155/3.94	2	B
MAT'L NUMBER		A	B	1	E
REDUCE TIN THK EC NO. UCP2004-2347 DRAWN: RW WHITE 04/05/20 CHK: BBARKER 04/05/20 APPR: SMILLER 04/05/20	QUALITY SYMBOLS	GENERAL TOLERANCES: (UNLESS SPECIFIED)		SCALE 2 : 1	
	MAJOR	mm	INCH	DESIGN UNITS	THIRD ANGLE PROJECTION
	CRITICAL	mm	INCH	mm	INCH
	DESCRIPTION	4 PLACES ±0.	±.	DRAWN BY & DATE	TITLE:
	REV	3 PLACES ±0.	±.005	CHECKED BY & DATE	SALES ASSEMBLY
	2 PLACES ±0.13	±.	APPROVED BY & DATE	360 CKT "HiSpec" CONNECTOR	
	1 PLACE ±0.	±.	NELSON 08/14/98	W/METAL FORKLLOCKS	
	ANGULAR: ± 1°		CAD FILENAME	MATERIAL NO.	
	DRAFT WHERE APPLICABLE MUST REMAIN WITHIN DIMENSIONS		WORKMANAGER	DRAWING NO.	SHEET NO.
	THIS DRAWING CONTAINS INFORMATION THAT IS PROPRIETARY TO MOLEX INCORPORATED AND SHOULD NOT BE USED WITHOUT WRITTEN PERMISSION.		SEE CHART	SD-71109-511	1 OF 2
					C

NOTES:

- MATERIALS:**
HOUSING - LCP, 30% GLASS FILLED, 94-V0, BLACK.
TERMINALS - PHOSPHOR BRONZE.
METAL FORKLOCKS - PHOSPHOR BRONZE.
- FINISH:**
TERMINALS - .000030/0.00076 MINIMUM GOLD IN THE CONTACT AREA AND .000075/0.0019 MINIMUM TIN IN SOLDER TAIL AREA OVER .000050/0.0013 MINIMUM NICKEL OVERALL.
METAL FORKLOCKS - .00008/0.002 MINIMUM TIN OVERALL.
- PRODUCT SPECIFICATION PS-71109-9999 APPLIES.
- CARD SLOT ACCEPTS .062 +.007/-.005 P.C. BOARD.
- THE RECOMMENDED PLATING SPECIFICATION FOR THE MATING PC BOARD IS .000030/0.0076 MINIMUM GOLD OVER .000075/0.0019 MINIMUM NICKEL.
- MOLEX LOGO SHALL APPEAR ON BOTH SIDES OF HOUSING AND LOCATED APPROXIMATELY AS SHOWN.
- FOUR DIGIT DATE CODE (YR/WK) SHALL BE LOCATED APPROXIMATELY AS SHOWN.
- THE PRIMARY SHIPPING CARTON WILL BE LABELED "COMPLIANT TO ROHS DIRECTIVE 2002/95/EC AND ELV ANNEX II OF DIRECTIVE 2000/53/EC". CARTONS WITHOUT THIS LABEL MAY CONTAIN PRODUCT WITH LEAD.



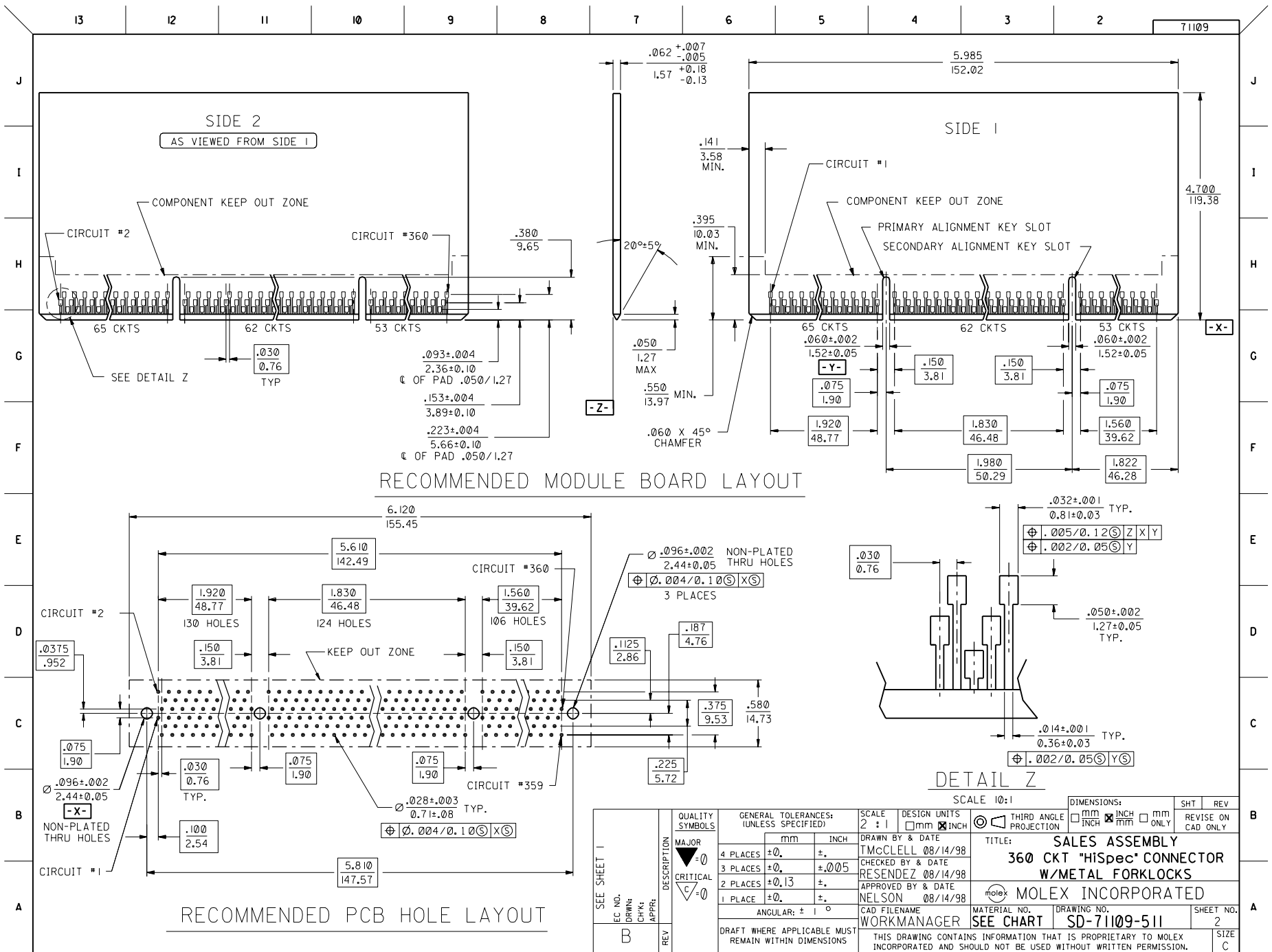
71109-5029	.115/2.92	.155/3.94
MAT'L NUMBER	A	B

REduce TIN THK	QUALITY SYMBOLS
EC No. LUCP2004-2347	MAJOR
DRWNR: WHITE 04/05/20	CRITICAL
CHK: BBARKER 04/05/20	
APPR: SWILLER 04/05/20	
REV	DESCRIPTION
F	

GENERAL TOLERANCES: (UNLESS SPECIFIED)	
4 PLACES	±0. ±.
3 PLACES	±0. ±.005
2 PLACES	±0.13 ±.
1 PLACE	±0. ±.
ANGULAR: ± 1°	
DRAFT WHERE APPLICABLE MUST REMAIN WITHIN DIMENSIONS	

SCALE 2 : 1	DESIGN UNITS
DRAWN BY & DATE	THIRD ANGLE PROJECTION
CHECKED BY & DATE	
APPROVED BY & DATE	
CAD FILENAME	MATERIAL NO.
WORKMANAGER	SEE CHART

DIMENSIONS:		2	B
<input type="checkbox"/> mm	<input checked="" type="checkbox"/> INCH	1	E
<input type="checkbox"/> mm ONLY	<input type="checkbox"/> INCH ONLY	SHT	REV
TITLE: SALES ASSEMBLY		REVISE ON CAD ONLY	
360 CKT "HiSpec" CONNECTOR			
W/METAL FORKLOCKS			
MOLLEX MOLEX INCORPORATED			
DRAWING NO.	SHEET NO.		
SD-71109-511	1 OF 2		
THIS DRAWING CONTAINS INFORMATION THAT IS PROPRIETARY TO MOLEX INCORPORATED AND SHOULD NOT BE USED WITHOUT WRITTEN PERMISSION.		SIZE C	



RECOMMENDED MODULE BOARD LAYOUT

RECOMMENDED PCB HOLE LAYOUT

DETAIL Z

EC NO. B	DRAWN: CHK: APP:	DESCRIPTION	QUALITY SYMBOLS		GENERAL TOLERANCES: (UNLESS SPECIFIED)	SCALE	DESIGN UNITS	THIRD ANGLE PROJECTION	DIMENSIONS:	SHT	REV
			MAJOR = 0	CRITICAL = 0		mm	INCH	mm	INCH	mm	INCH
REV	REV	REV	4 PLACES ±0.	±.	±.	2 ± 1	mm	mm	mm	mm	mm
			3 PLACES ±0.	±.005	±.005	1	INCH	INCH	INCH	INCH	INCH
			2 PLACES ±0.13	±.	±.	DRAWN BY & DATE	TITLE:	SALES ASSEMBLY			
			1 PLACE ±0.	±.	±.	TMCCLELL 08/14/98	360 CKT "HiSpec" CONNECTOR	W/METAL FORKLLOCKS			
			ANGULAR: ± 1 °			CHECKED BY & DATE	W/MOLEX INCORPORATED				
						RESENDEZ 08/14/98	MATERIAL NO.	DRAWING NO.	SHEET NO.		
						APPROVED BY & DATE	SEE CHART	SD-71109-511	2		
						NELSON 08/14/98	CAD FILENAME	WORKMANAGER	SIZE		
									C		
									THIS DRAWING CONTAINS INFORMATION THAT IS PROPRIETARY TO MOLEX INCORPORATED AND SHOULD NOT BE USED WITHOUT WRITTEN PERMISSION.		